



# LeakLess®

System för läckagekontroll

## 1200-Series

## ReelSafe®

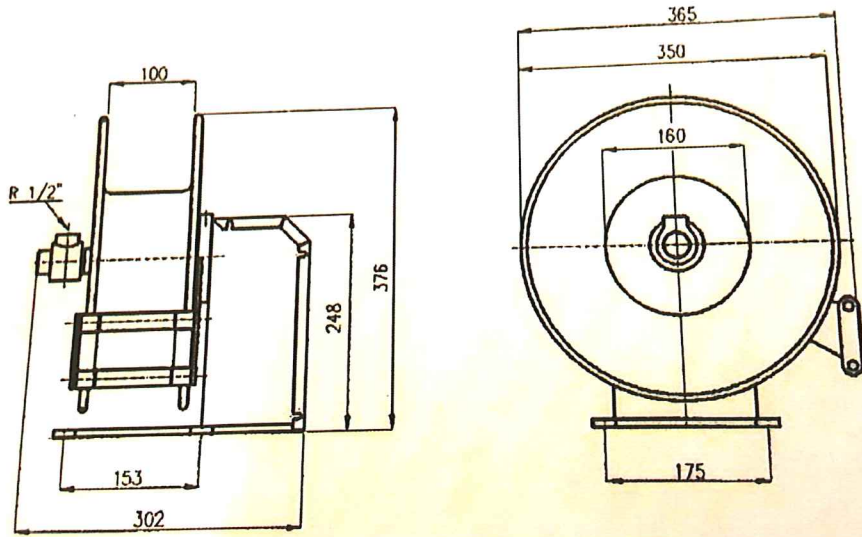
**Motordriven 24 volt hosereel for airpressure ,  
water or oil . Inside dimension 6 , 10 or 12,5 mm for  
hose lengths 8 – 25 meter. Workingpressure up to  
20 bar.**





# LeakLess®

Easy to pull out and slow and safe return of the hose makes the 1200-Series ergonomic and safe for all users. And when it is easy to use the reel will be used and the hose come up from the floor and makes a safer workplace.



Articlenumber	Hoselength (M)	Id (mm)	workingpressure	Weight
E.12.20.06	20 meter	6	15 bar	15
E.12.25.06	25 meter	6	15 bar	15
E.12.10.10	10 meter	10	15 bar	15
E.12.15.10	15 meter	10	15 bar	15
E.12.20.10	20 meter	10	15 bar	15
E.12.08.13	8 meter	12,5	15 bar	15
E.12.20.13.F	20 meter	12,5	20 bar	15

F=Lighthose

Swivelconnection is inside G 1/2" , if you don't have 24 volt AC you need a transformer 230 – 24 volt  
articlenumber : T-1.